

TITAN

PI 235HC B - PI 245HC B

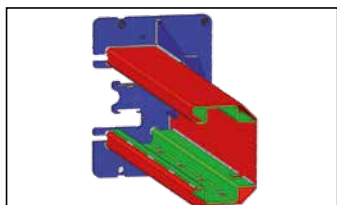
Electro-hydraulic two post lifts with base connection
for low ceiling height



Electro-hydraulic two post lifts with base connection for low ceiling height.

Realignment of the two carriages using metal cables that guarantee **excellent synchronisation**.

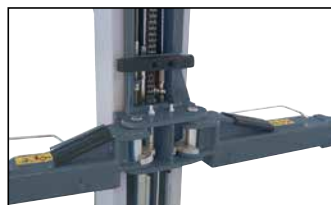
Three-stages asymmetrical lifting arms.



Internally reinforced column structure for little bending and internal cable guiding.



Double threaded lifting pad to ensure excellent vertical adjustment (95=180 mm).



Rubber door protections.
Toothed sector arm rotation stop system.



Four three-section asymmetrical arms. Last section of arms very thin (30mm), for easy access to flat vehicles.

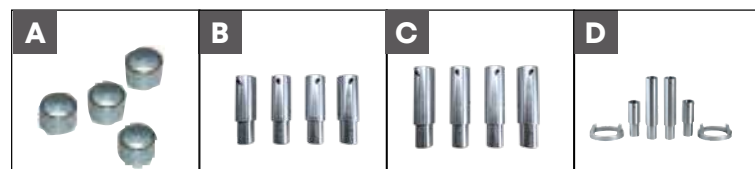
TECHNICAL DATA

TITAN	PI 235HC B	PI 245HC B
Lift capacity	3500 kg	4500 kg
Lifting time	40 s	40 s
Motor	400/230V-3kW-3ph-50 Hz	400/230V-3kW-3ph-50 Hz
Lift max. lifting height	2003 mm	2003 mm
Lift minimum height	100 mm	100 mm

SUPPLIED ACCESSORIES

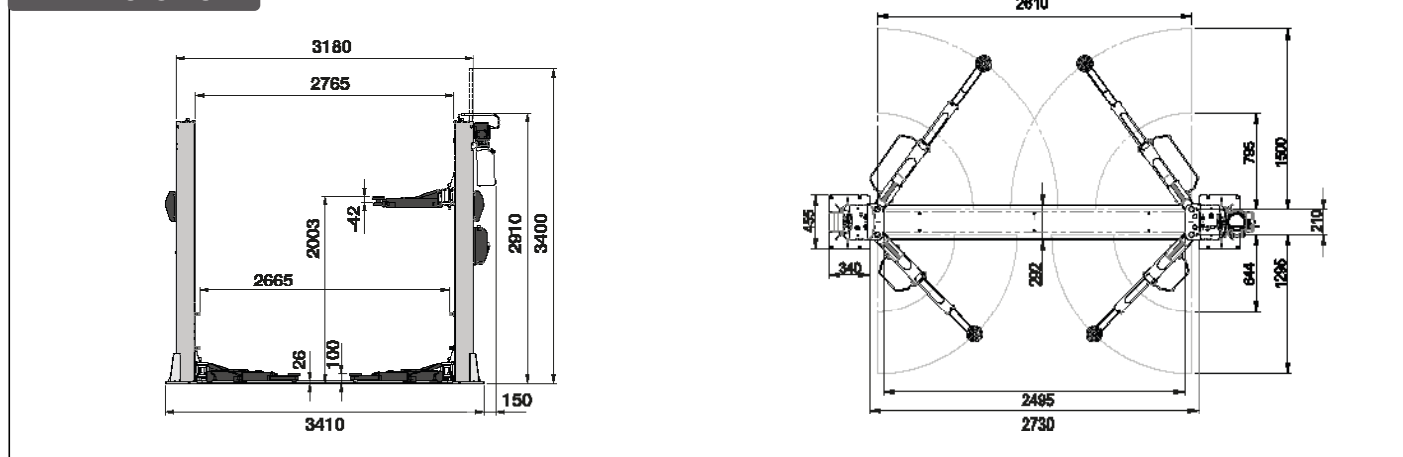
- Mechanical carriage support device on each column ensures optimum working safety.
- Two set of extension pads.

OPTIONAL



- A - 8-43300021** Set of 4 extension for pads, H=35 mm
- B - 8-43300014** Set of 4 extension for pads, H=80 mm
- C - 8-43300015** Set of 4 extension for pads, H=140 mm
- D - 8-43300016** Set of 4 adapters for Mercedes Sprinter

DIMENSIONS



The manufacturer reserves the right to modify the features of its products at any time.